

8mm X 480mm LED LIGHT BAR

FEATURES

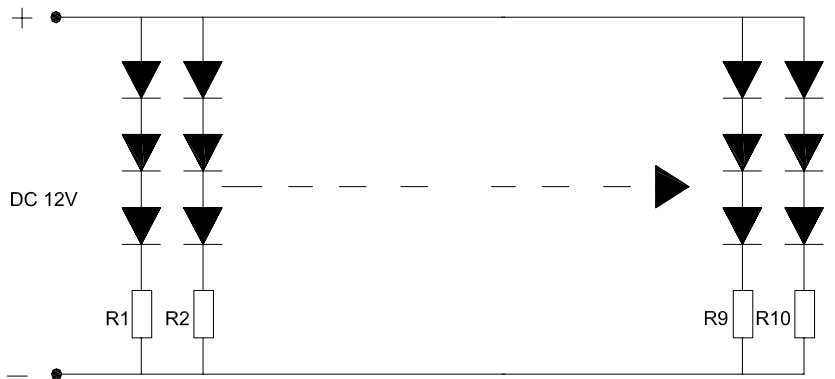
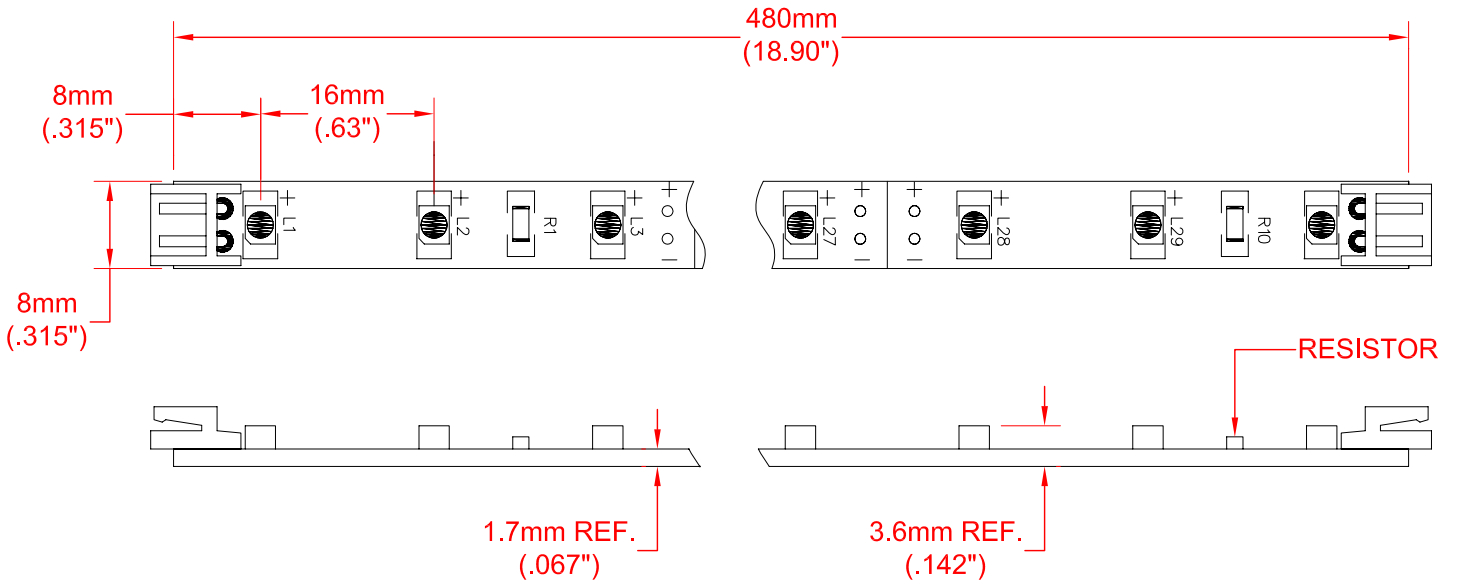
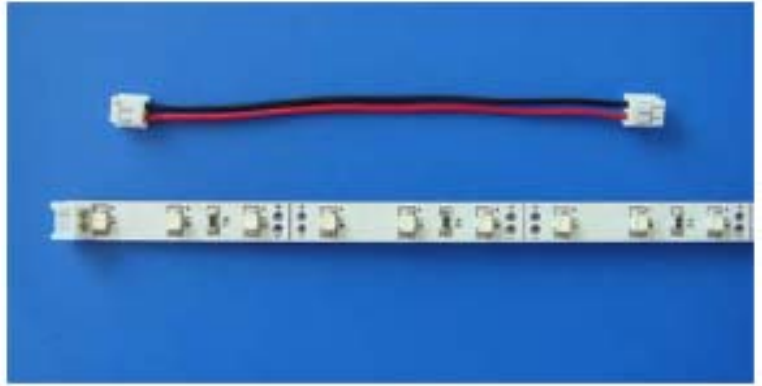
WORKING VOLTAGE: 12V DC.

WORKING CURRENT: 200mA.

LED VIEW ANGLE (2 θ 1/2): 120°.

PACKAGE: 1 PCS/PVC TUBE.

P.C.B. THICKNESS: 1.6mm



ATTENTION



OBSERVE PRECAUTION FOR HANDLING ELECTROSTATIC DISCHARGE SENSITIVE DEVICES

JKL PART NO.: ZRS-8480-CW

METRIC THIRD ANGLE PROJECTION		DIMENSIONS ARE IN MILLIMETERS TOLERANCE UNLESS OTHERWISE SPECIFIED 1 PL +/- 1 2 PL +/- ANGLE +/-		JKL COMPONENTS CORPORATION TITLE 8mm X 480mm COOL WHITE LED LIGHT BAR			
DRAWN BY L. WENGSTROM	APPVD BY L. R.	DATE 4/22/08	SIZE A	FSCM NO. 55335	DRAWING NO. ZRS-8480-CW		
- CAD DRAWING - MANUAL REVISIONS NOT PERMITTED			SCALE NONE	RELEASED DATE 4/22/08	REVISION DATE	REV. NO. SHEET 1 OF 2	

REV. NO.	DESCRIPTION/ECO NUMBER	APPVD DATE
RELEASED		4/22/08

8mm X 480mm LED LIGHT BAR

Absolute Maximum Rating at TA = 25°C

Parameter	Symbol	Absolute Maximum Rating	Unit
Forward Current	IF	200	mA
Power Dissipation	PD	2.4	W
Electrostatic Discharge	ESD	800	V
Operating Temperature	Topr	-25~+60	°C
Storage Temperature	Tstg	-40~+80	°C

Electrical/Optical Characteristics at TA = 25°C

Parameter	Symbol	Condition	Min	Typ	Max	Unit
Forward Voltage DC	VF	IF = 200mA	--	12	--	V
Color Coordinates	x, y	IF = 200mA	.285	.300	.315	x
			.285	.310	.335	y
Luminous Flux	ϕV	IF = 200mA	--	90	--	lm
Recommend Forward Current	IF(rec)	--	--	200	--	mA

JKL ACCESSORIES TO BE ORDERED SEPARATELY
PCB MOUNTING CLIP: ZRC-8
INPUT CONNECTOR HARNESS: ZCH-200-I
JOINER CONNECTOR HARNESS: ZCH-101-J